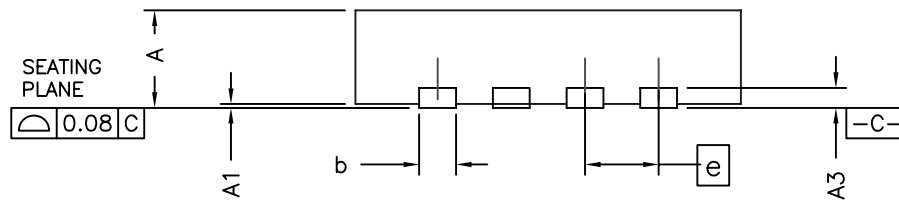
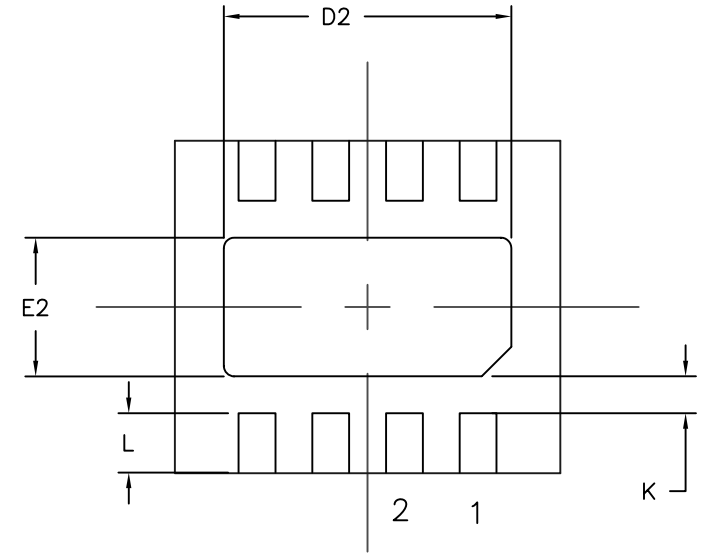
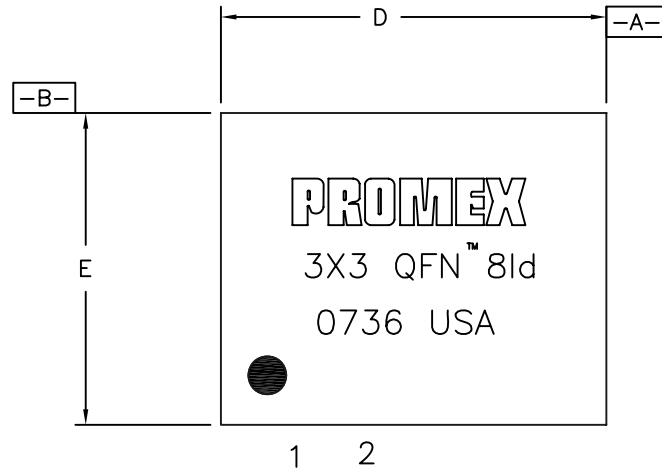


REVISIONS				
DRAWN	REV	DESCRIPTION	DATE	APPROVED
BC	A	INITIAL RELEASE	09/05/07	-
				-



SYMBOL	MILLIMETERS	
	MIN	MAX
A, V	0.80	1.00
A1	0.00	0.05
A3	0.20 REF	
b	0.18	0.30
D	3.00 BSC	
D2	2.25	2.35
E	3.00 BSC	
E2	1.2	1.3
e	0.50 BSC	
K	0.20	-
L	0.45	0.55
L1	-	-
θ	0°	0

- NOTES:
- PACKAGE CONFORMS TO JEDEC MO-229, VEED-6
 - L/F MATERIAL : OLIN 194 HH/FH Cu
THICKNESS : 0.20±0.008
 - OPTIONAL PLATING : 1.27µm MIN. Ni, 0.15µm MIN. Pd, 0.025µm MIN. Au
 - DIM AND TOL CONFORM TO ASME Y14.5M-1994
 - ALL DIM ARE IN MM, 0 IS IN DEG
 - DIM b APPLIES TO METALLIZED TERMINAL AND IS MEASURED BETWEEN 0.15mm AND 0.30mm FROM TIP.

ALL INFORMATION CONTAINED HEREON IS THE PROPERTY OF PROMEX, INC. AND IS CONSIDERED PROPRIETARY AND SUBJECT TO RETURN UPON DEMAND. ACCEPTANCE AND RETENTION HEREOF SIGNIFIES AGREEMENT BY THE RECIPIENT THAT THE INFORMATION WILL NOT BE DISCLOSED TO OTHERS NOR USED CONTRAY TO THE INTEREST OF PROMEX, INC. WITHOUT PRIOR WRITTEN PERMISSION.

MATERIAL: OLIN C194 Cu		CONTRACT NO.		3075 Oakmead Village Drive Santa Clara, CA 95051	
FINISH:		DRAWN	DATE	TITLE	
UNSPECIFIED TOLERANCE: DEC. INCH / MM		BOB CATTANED	09/05/07	DFN 3X3mm, 8LD PACKAGE OUTLINE	
DO NOT SCALE DRAWING .X = ± 0.010/0.250		CHECK	09/05/07		
DIMENSIONS APPLY AFTER PLATING .XX = ± 0.005/0.125		BOB CATTANED	09/05/07	SIZE	DWG NO.
ALL DIMENSIONS ARE IN INCHES .XXX = ± 0.003/0.080		DESIGN		A	33DFN_08PO
EXCEPT AS SPECIFY IN DRAWING .XXXX = ± 0.001/0.025		BOB CATTANED	09/05/07	REV	A
ANGLES ± 0.5°		DESIGN ACTIVITY			
USED ON	NEXT ASSEMBLY	QTY	CUSTOMER		
GENERAL USE			CAGE CODE: 3FY32		
			FILE NAME: 33DFN_08SALErevA.DWG		
			SHEET: 1 of 1		